

DK-LOK

Fittings & Valves

DK-lok High Pressure Series



Contents

High Pressure Needle Valve

Straight Type
DK-NV



Angle Type
DK-NV-A



3 WAY One Pressure Type
DK-NV-O



3 WAY Two Pressure Type
DK-NV-T



High Pressure Fitting

Elbow
DK-L



Tee
DK-T



Cross
DK-X



High Pressure Fitting Accessory

Sleeve
DK-S



Gland
DK-G



Collar
DK-C



Tube
DK-TL



Nipple
DK-N

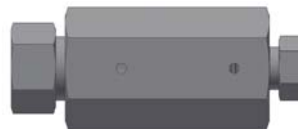


High Pressure Union & Adapter

Female Union
DK-FAU



Female Union Reducer
DK-FARU



Male Union
DK-MAU



Male Union Reducer
DK-MAUR



Male Adapter * Female Adapter
DK-MAFA



Female Adapter * Female Thread
DK-FAF



Male Adapter * Female Thread
DK-MAF



Female Adapter * Male Thread
DK-FAM

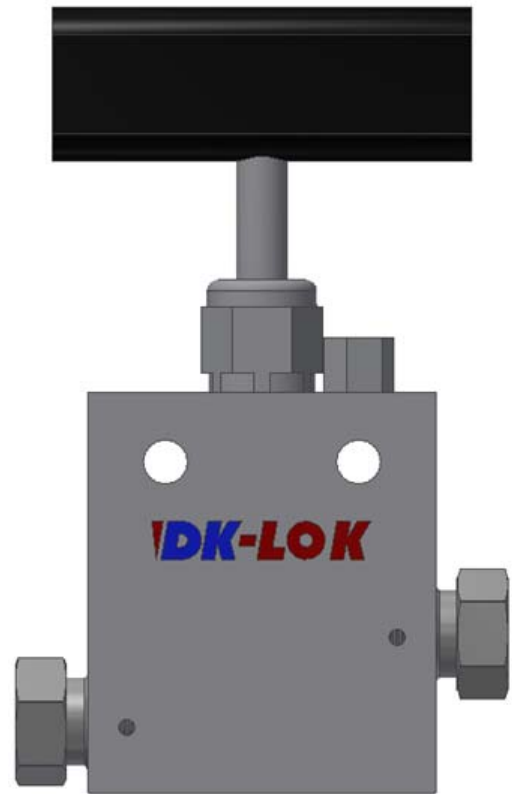
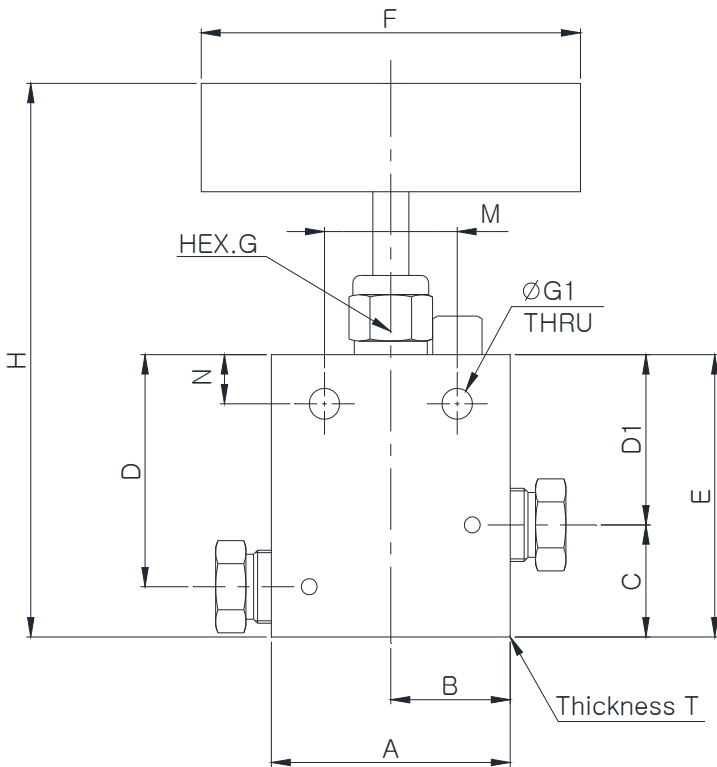


Male Adapter * Male Thread
DK-MAM



High Pressure Needle Valve

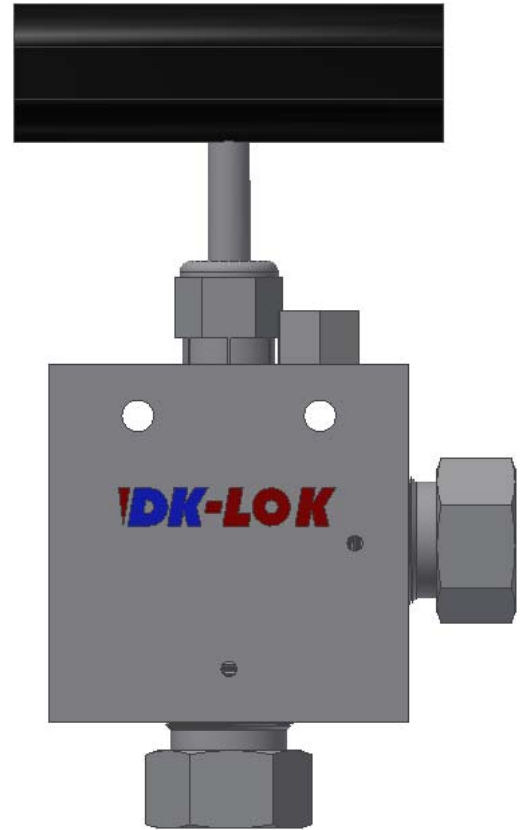
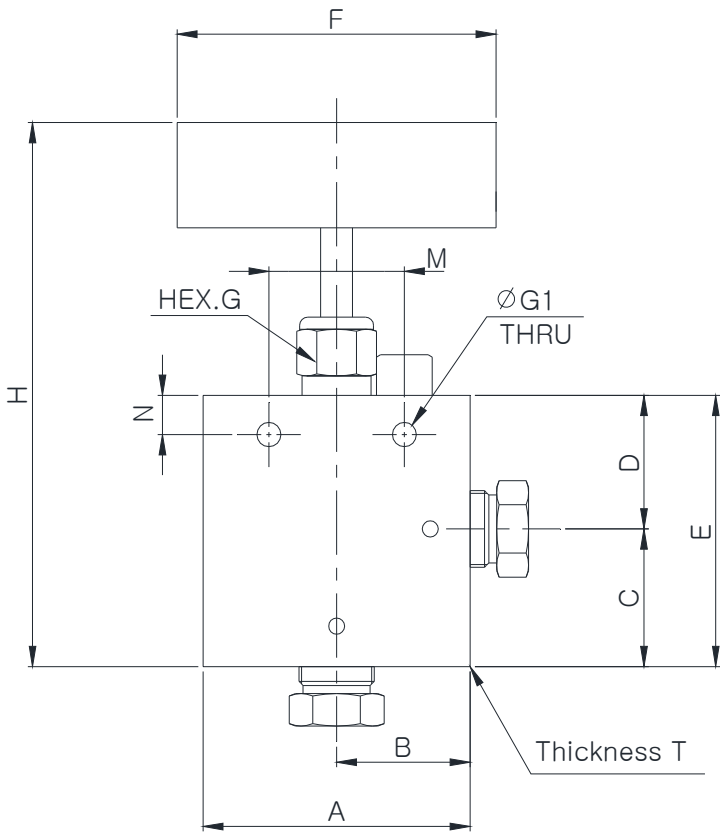
Straight Type



Part No.	Pressure Rating	Tube Size	Cv	Orifice Size	Dimensions												
					A	B	C	D	D1	E	F	G	G1	H	M	N	T
DK11NV-02	11,000 psi	1/8"	0.12	2.39	38	19	22	30	23	45	50	13	5	82	12.8	8	20
DK11NV-04	11,500 psi	1/4"	0.2	3.18	50	25	20	40.3	30	50	80	17	6	118.2	15.6	9.7	20
DK07NV-06	7,500 psi	3/8"	0.2	3.18	50	25	20.5	40.3	29.5	50	80	17	6	116.9	15.7	9.7	20
DK05NV-08	5,500 psi	1/2"	1.62	7.54	63	31.5	30.5	60.5	44.5	75	100	24	9	151.8	17.5	12.7	25
DK20NV-04	20,000 psi	1/4"	0.31	3.18	50	25	20	40.3	30	50	80	17	6	118.2	15.7	9.7	20
DK20NV-06		3/8"	0.75	5.56	50	25	20	40.3	30	50	80	17	6	116.9	15.7	9.7	20
DK20NV-09		9/16"	1.3	7.94	63	31.5	29	60	44	73	80	22	8	143.1	15.7	12.7	25
DK20NV-12		3/4"															
DK20NV-16		1"															
DK30NV-02	30,000 psi	1/8"	0.03	1.59	38	19	22	30	23	45	50	13	5	82.2	12.8	8	20
DK30NV-04		1/4"	0.12	2.4	50	25	21	43	33	54	80	20	6	114.9	17	9.7	25
DK30NV-06		3/8"	0.2	3.2	50	25	24	43	33	57	80	20	6	115.6	17	9.7	25
DK30NV-09		9/16"	0.33	3.2	67	33.5	29	43	33	62	80	20	6	130.3	17	9.7	38
DK60NV-04	60,000 psi	1/4"	0.08	1.8	50	25	21	43	33	54	80	20	6	121.4	17	9.7	25
DK60NV-06		3/8"	0.09	1.8	50	25	24	43	33	57	80	20	6	124.9	17	9.7	25
DK60NV-09		9/16"	0.14	2	67	33.5	29	43	33	62	80	20	6	127.4	17	9.7	38
DK100NV-04	100,000 psi	1/4"	0.09	1.59	67	33.5	30.5	44	33	63.5	100	24	6	132.4	20	9.7	38
DK150NV-06	150,000 psi	3/8"	0.06	1.59	90	45	30	42	34	64	100	24	7	135	19	12.7	38

High Pressure Needle Valve

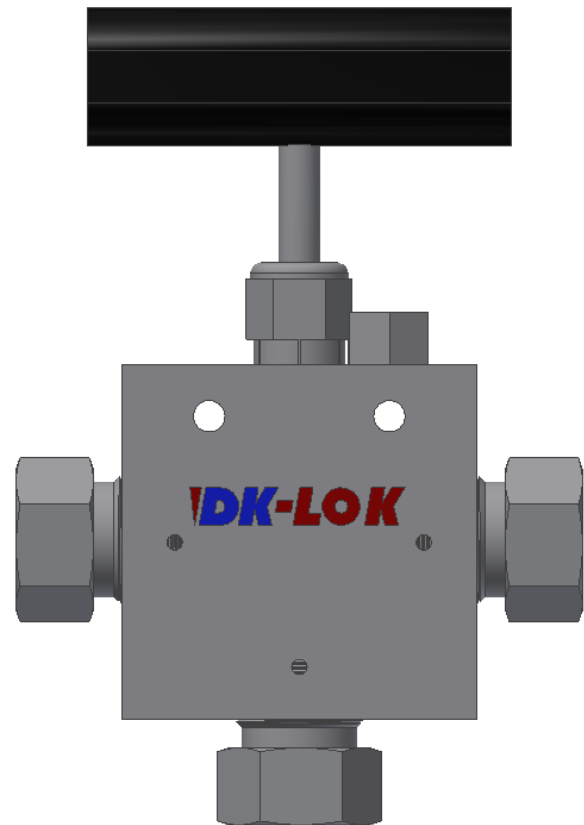
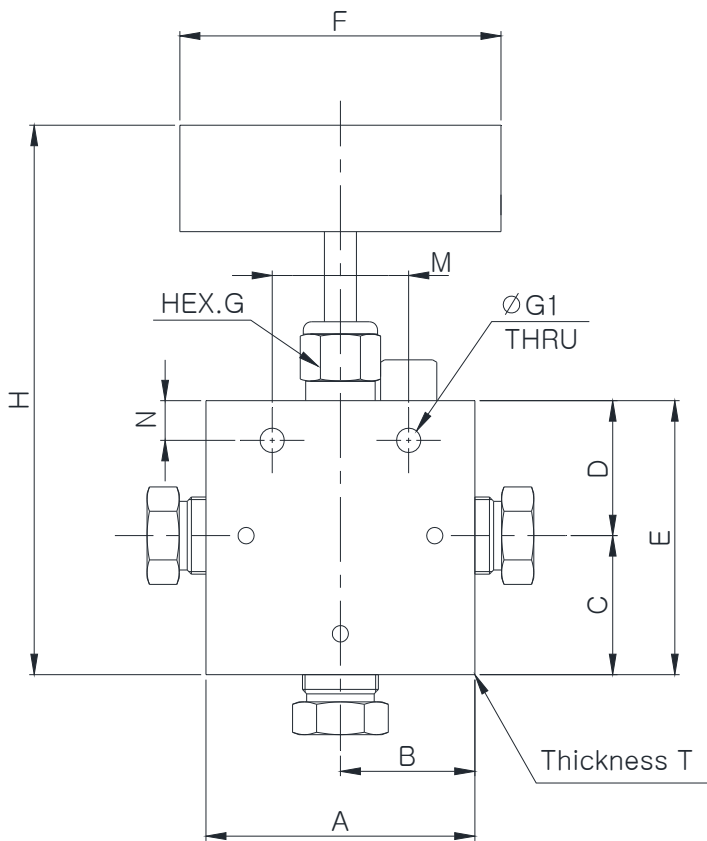
Angle Type



Part No.	Pressure Rating	Tube Size	Cv	Orifice Size	Dimensions											
					A	B	C	D	E	F	G	G1	H	M	N	T
DK11NV-02-A	11,000 psi	1/8"	0.12	2.39	38	19	22	23	45	50	13	5	82	12.8	8	20
DK11NV-04-A	11,500 psi	1/4"	0.2	3.18	50	25	32	30	62	80	17	6	130.2	15.6	9.7	20
DK07NV-06-A	7,500 psi	3/8"	0.2	3.18	50	25	32	30	62	80	17	6	128.9	15.7	9.7	20
DK05NV-08-A	5,500 psi	1/2"	1.62	7.54	63	31.5	41.5	44.5	86	100	24	9	162.8	17.6	12.7	25
DK20NV-04-A	20,000 psi	1/4"	0.31	3.18	50	25	32	30	62	80	17	6	130.2	15.7	9.7	20
DK20NV-06-A		3/8"	0.75	5.56	50	25	32	30	62	80	17	6	128.9	15.7	9.7	20
DK20NV-09-A		9/16"	1.3	7.94	63	31.5	25.5	44.5	70	80	22	8	155.6	15.7	12.7	25
DK20NV-12-A		3/4"														
DK20NV-16-A		1"														
DK30NV-02-A	30,000 psi	1/8"	0.03	1.59	38	19	22	23	45	50	13	5	82.2	12.8	8	20
DK30NV-04-A		1/4"	0.12	2.4	50	25	33.5	28.5	62	80	20	6	126.4	17.2	9.7	25
DK30NV-06-A		3/8"	0.2	3.2	50	25	33.5	28.5	62	80	20	6	126.5	17.2	9.7	25
DK30NV-09-A		9/16"	0.33	3.2	67	33.5	33.5	28.5	62	80	20	6	130.3	17.2	9.7	38
DK60NV-04-A	60,000 psi	1/4"	0.08	1.8	50	25	27.5	33	60.5	80	20	6	127.9	17	9.7	25
DK60NV-06-A		3/8"	0.09	1.8	50	25	33.5	33	66.5	80	20	6	134.4	17	9.7	25
DK60NV-09-A		9/16"	0.14	2	67	33.5	35.5	31.5	67	80	20	6	134.4	17	9.7	38
DK100NV-04-A	100,000 psi	1/4"	0.09	1.59	67	33.5	32	30	62	100	24	6	130.2	20	9.7	38
DK150NV-06-A	150,000 psi	3/8"	0.06	1.59	90	45	32	30	62	100	24	7	130.2	19	12.7	38

High Pressure Needle Valve

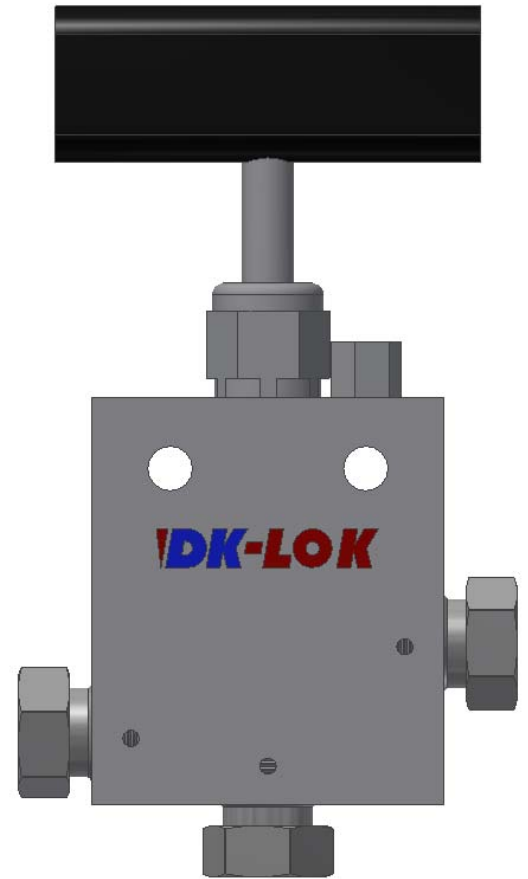
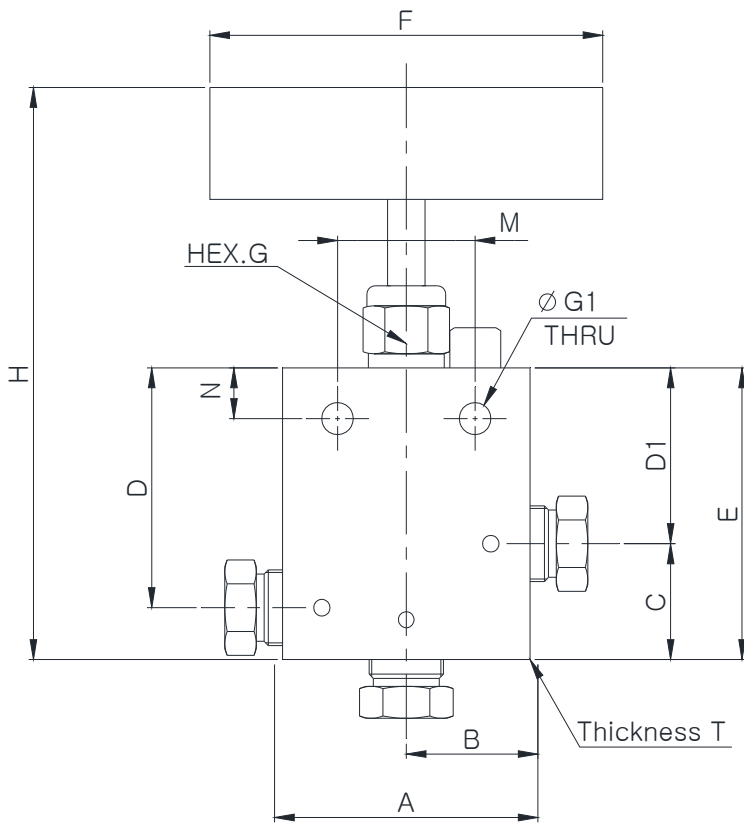
3Way One Pressure Type



Part No.	Pressure Rating	Tube Size	Cv	Orifice Size	Dimensions											
					A	B	C	D	E	F	G	G1	H	M	N	T
DK11NV-02-O	11,000 psi	1/8"	0.12	2.39	38	19	22	23	45	50	13	5	82	12.8	8	20
DK11NV-04-O	11,500 psi	1/4"	0.2	3.18	50	25	32	30	62	80	17	6	130.2	15.6	9.7	20
DK07NV-06-O	7,500 psi	3/8"	0.2	3.18	50	25	32	30	62	80	17	6	128.9	15.7	9.7	20
DK05NV-08-O	5,500 psi	1/2"	1.62	7.54	63	31.5	41.5	44.5	86	100	24	9	162.8	17.5	12.7	25
DK20NV-04-O	20,000 psi	1/4"	0.31	3.18	50	25	32	30	62	80	17	6	130.2	15.7	9.7	20
DK20NV-06-O		3/8"	0.75	5.56	50	25	32	30	62	80	17	6	128.9	15.7	9.7	20
DK20NV-09-O		9/16"	1.3	7.94	63	31.5	41	45	86	80	22	8	156.1	15.7	12.7	25
DK20NV-12-O		3/4"														
DK20NV-16-O		1"														
DK30NV-02-O	30,000 psi	1/8"	0.03	1.59	38	19	22	23	45	50	13	5	82.2	12.8	8	20
DK30NV-04-O		1/4"	0.12	2.4	50	25	33.5	28.5	62	80	20	6	126.4	17.2	9.7	25
DK30NV-06-O		3/8"	0.2	3.2	50	25	33.5	28.5	62	80	20	6	126.4	17.2	9.7	25
DK30NV-09-O		9/16"	0.33	3.2	67	33.5	33.5	28.5	62	80	20	6	130.3	17.2	9.7	38
DK60NV-04-O	60,000 psi	1/4"	0.08	1.8	50	25	27.5	33	60.5	80	20	6	127.9	17	9.7	25
DK60NV-06-O		3/8"	0.09	1.8	50	25	37	33	70	80	20	6	137.4	17	9.7	25
DK60NV-09-O		9/16"	0.14	2	67	33.5	35.5	32	67	80	20	6	134.4	17	9.7	38
DK100NV-04-O	100,000 psi	1/4"	0.09	1.59	67	33.5	32	30	62	100	24	6	130.2	20	9.7	38
DK150NV-06-O	150,000 psi	3/8"	0.06	1.59	90	45	32	30	62	100	24	7	130.2	19	12.7	38

High Pressure Needle Valve

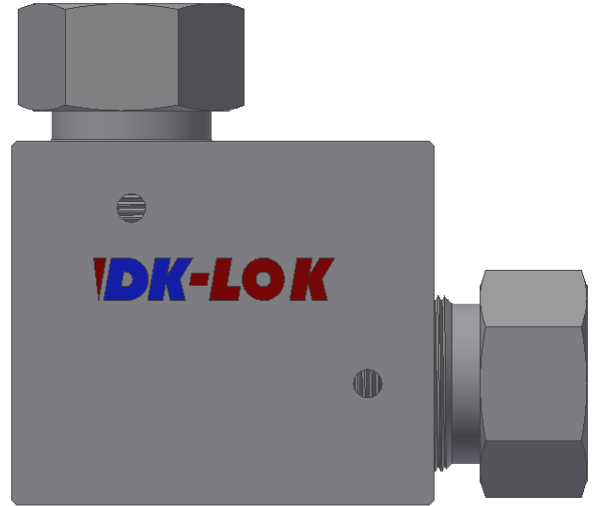
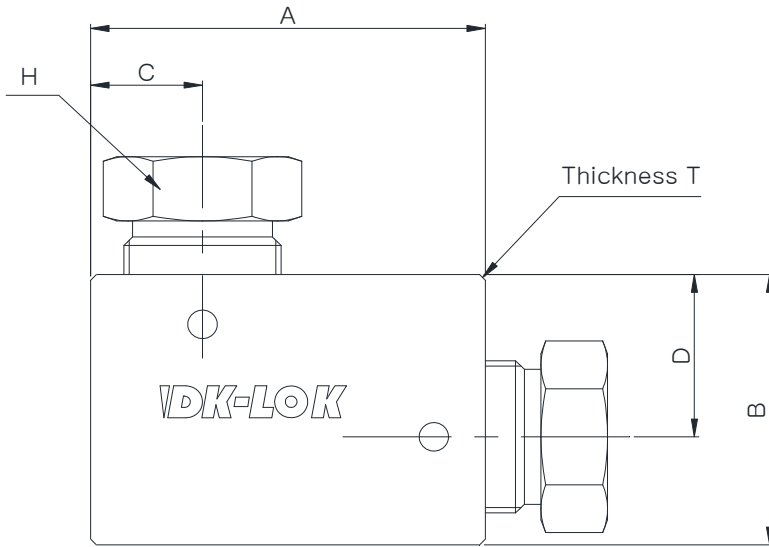
3Way Two Pressure Type



Part No.	Pressure Rating	Tube Size	Cv	Orifice Size	Dimensions													
					A	B	C	D	D1	E	F	G	G1	H	M	N	T	
DK11NV-02-T	11,000 psi	1/8"	0.12	2.39	38	19	22	30	23	45	50	13	5	82	12.8	8	20	
DK11NV-04-T	11,500 psi	1/4"	0.2	3.18	50	25	36.5	41	30	66.5	80	17	6	134.8	15.6	9.7	20	
DK07NV-06-T	7,500 psi	3/8"	0.2	3.18	50	25	36.5	41	30	66.5	80	17	6	133.3	15.7	9.7	20	
DK05NV-08-T	5,500 psi	1/2"	1.62	7.54	63	31.5	47.5	60.5	44.5	92	100	24	9	168.8	17.5	12.7	25	
DK20NV-04-T	20,000 psi	1/4"	0.31	3.18	50	25	36.5	41	30	66.5	80	17	6	134.7	15.7	9.7	20	
DK20NV-06-T		3/8"	0.75	5.56	50	25	36.5	41	30	66.5	80	17	6	133.3	15.7	9.7	20	
DK20NV-09-T		9/16"	1.3	7.94	63	31.5	47.5	60	44.5	92	80	22	8	159.9	15.7	12.7	25	
DK20NV-12-T		3/4"																
DK20NV-16-T		1"																
DK30NV-02-T	30,000 psi	1/8"	0.03	1.59	38	19	22	30	23	45	50	13	5	87.2	12.8	8	20	
DK30NV-04-T		1/4"	0.12	2.4	50	25	33.5	38	28.5	62	80	20	6	126.4	17.2	9.7	25	
DK30NV-06-T		3/8"	0.2	3.2	50	25	35	38	28.5	63.5	80	20	6	127.9	17.2	9.7	25	
DK30NV-09-T		9/16"	0.33	3.2	67	33.5	50.5	39.5	28.5	79	80	20	6	141.3	17.2	9.7	38	
DK60NV-04-T	60,000 psi	1/4"	0.08	1.8	50	25	27.2	43	33	60.5	80	20	6	127.9	17	9.7	25	
DK60NV-06-T		3/8"	0.09	1.8	50	25	38.5	43	33	71.5	80	20	6	138.9	17	9.7	25	
DK60NV-09-T		9/16"	0.14	2	67	33.5	45.5	41	31.5	77	80	20	6	144.4	17	9.7	38	
DK100NV-04-T	100,000 psi	1/4"	0.09	1.59	67	33.5	36.5	41	30	66.5	100	24	6	134.7	20	9.7	38	
DK150NV-06-T	150,000 psi	3/8"	0.06	1.59	90	45	36.5	41	30	66.5	100	24	7	134.7	19	12.7	38	

High Pressure Fitting

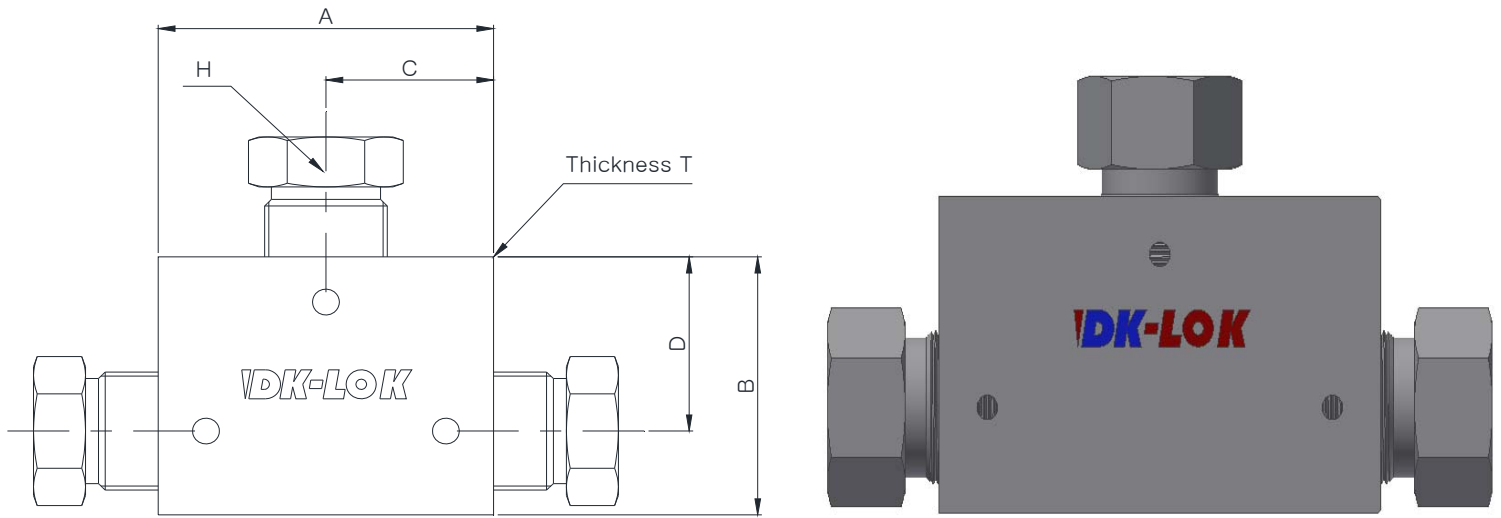
Elbow Type



Part No.	Pressure Rating	Tube Size	Orifice Size	Dimensions					
				A	B	C	D	H	T
DK11L-02	11,000 psi	1/8"	1.4	25	25	7	19	12	15.5
DK11L-04	11,500 psi	1/4"	4	35	35	10	25	16	20
DK07L-06	7,500 psi	3/8"	5.5	35	35	10	25	17	20
DK05L-08	5,500 psi	1/2"	8.5	45	45	13.5	31.5	25.4	25
DK20L-04	20,000 psi	1/4"	2.8	30	25	8	17.5	12	16
DK20L-06		3/8"	5.2	35	35	10	25	16	20
DK20L-09		9/16"	9.1	45	45	13.5	31.5	22	25
DK20L-12		3/4"	13	57	57	19	38	27	35
DK20L-16		1"	17.5	76	76	23.5	52.5	36	45
DK30L-02	30,000 psi	1/8"	1.16	28	28	9	19	13	20
DK30L-16		1"	11.1	76	76	23.5	52.5	36	45
DK60L-04	60,000 psi	1/4"	2.4	35	35	12.5	22.5	16	25
DK60L-06		3/8"	3.2	45	38	13.5	25	20	25
DK60L-09		9/16"	4.8	67	47.5	19	28.5	30	38
DK100L-04	100,000 psi	1/4"	2.4	44.5	44.5	13	31.5	16	25
DK150L-06	150,000 psi	3/8"	2.4	67	67	22	45	20	38

High Pressure Fitting

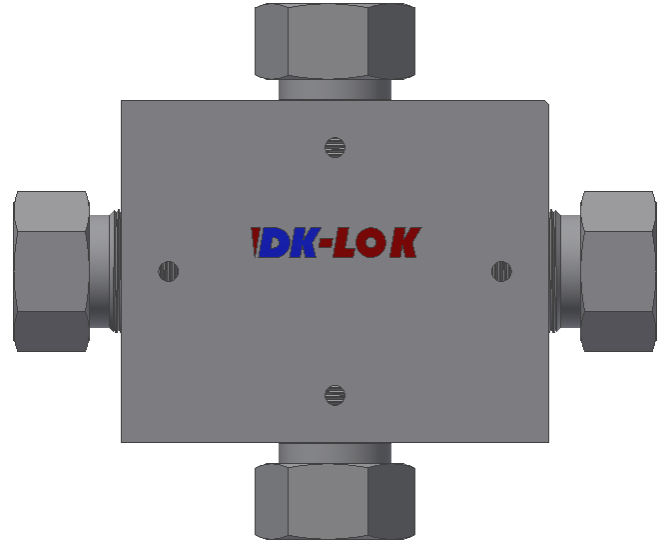
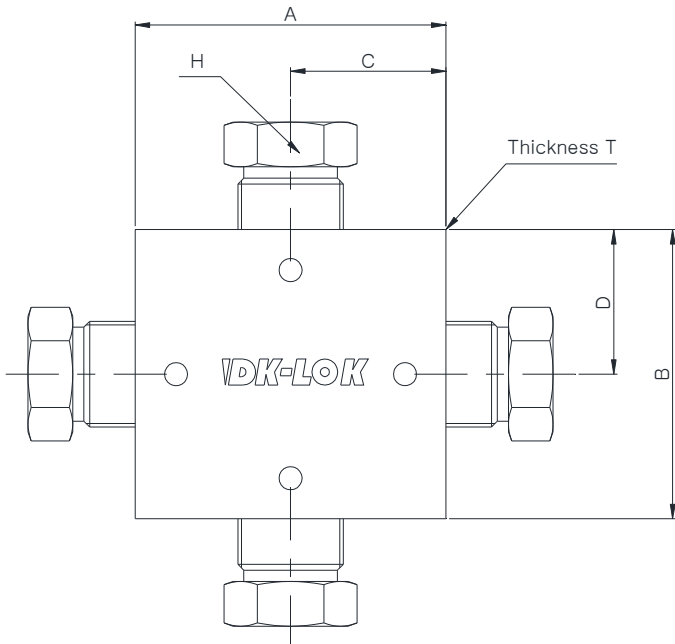
Tee Type



Part No.	Pressure Rating	Tube Size	Orifice Size	Dimensions					
				A	B	C	D	H	T
DK11T-02	11,000 psi	1/8"	1.4	38	25	19	19	12	15.5
DK11T-04	11,500 psi	1/4"	4	50	35	25	25	16	20
DK07T-06	7,500 psi	3/8"	5.5	50	35	25	25	17	20
DK05T-08	5,500 psi	1/2"	8.5	63	45	31.5	31.5	25.4	25
DK20T-04	20,000 psi	1/4"	2.8	44	25	22	17.5	12	16
DK20T-06		3/8"	5.2	50	35	25	25	16	20
DK20T-09		9/16"	9.1	63	45	31.5	31.5	22	25
DK20T-12		3/4"	13	76	57	38	38	27	35
DK20T-16		1"	17.5	105	76	52.5	52.5	36	45
DK30T-02	30,000 psi	1/8"	1.16	28	38	19	19	13	20
DK30T-16		1"	11.1	105	76	52.5	52.5	36	45
DK60T-04	60,000 psi	1/4"	2.4	50	35	25	22.5	16	25
DK60T-06		3/8"	3.2	50	40	25	27	20	25
DK60T-09		9/16"	4.8	67	54	33.25	35	30	38
DK100T-04	100,000 psi	1/4"	2.4	44.5	63	31.5	31.5	16	25
DK150T-06	150,000 psi	3/8"	2.4	67	90	45	45	20	38

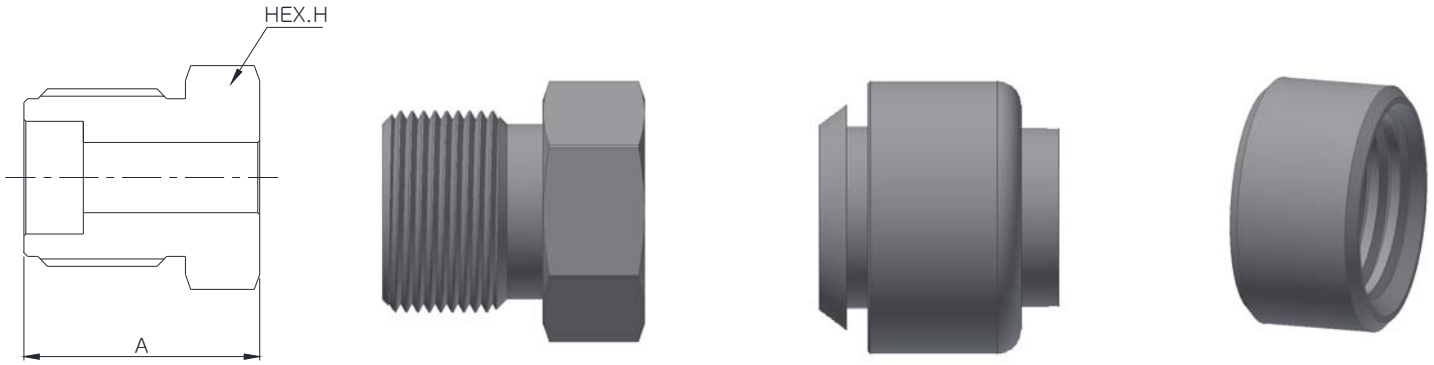
High Pressure Fitting

Cross Type



Part No.	Pressure Rating	Tube Size	Orifice Size	Dimensions					
				A	B	C	D	H	T
DK11X-02	11,000 psi	1/8"	1.4	38	38	19	19	12	15.5
DK11X-04	11,500 psi	1/4"	4	50	50	25	25	16	20
DK07X-06	7,500 psi	3/8"	5.5	50	50	25	25	17	20
DK05X-08	5,500 psi	1/2"	8.5	63	63	31.5	31.5	25.4	25
DK20X-04	20,000 psi	1/4"	2.8	44	35	22	17.5	12	16
DK20X-06		3/8"	5.2	50	50	25	25	16	20
DK20X-09		9/16"	9.1	63	63	31.5	31.5	22	25
DK20X-12		3/4"	13	76	76	38	38	27	35
DK20X-16		1"	17.5	105	105	52.5	52.5	36	45
DK30X-02	30,000 psi	1/8"	1.16	38	38	19	19	13	20
DK30X-16		1"	11.1	105	105	52.5	52.5	36	45
DK60X-04	60,000 psi	1/4"	2.4	50	38	25	19	16	25
DK60X-06		3/8"	3.2	54	50	27	25	20	25
DK60X-09		9/16"	4.8	70	67	35	33.25	30	38
DK100X-04	100,000 psi	1/4"	2.4	63	63	31.5	31.5	16	25
DK150X-06	150,000 psi	3/8"	2.4	90	90	45	45	20	38

High Pressure Fitting Accessory



GLAND

SLEEVE

COLLAR

Part No.				Pressure Rating	Tube Size	Dimensions	
Sleeve	Collar	Plug	Gland			HEX.H	A
DK11S-02			DK11G-02	11,000 psi	1/8"	12	14.5
DK11S-04			DK11G-04	11,500 psi	1/4"	16	16
DK07S-06			DK07S-06	7,500 psi	3/8"	17	19
DK05S-02			DK05G-02	5,500 psi	1/2"	25.4	24
	DK20C-04	DK20P-04	DK20G-04	20,000 psi	1/4"	12	16
	DK20C-06	DK20P-06	DK20G-06		3/8"	16	20
	DK20C-09	DK20P-09	DK20G-09		9/16"	22	27
	DK30C-02	DK30P-02	DK30G-02	30,000 psi	1/8"	27	28
	DK30C-04	DK30P-04	DK30G-04		1/4"	36	38
	DK30C-06	DK30P-06	DK30G-06		3/8"	13	18
	DK30C-09	DK30P-09	DK30G-09		9/16"	36	38
	DK60C-04	DK60P-04	DK60G-04	60,000 psi	1/4"	16	20
	DK60C-06	DK60P-06	DK60G-06		3/8"	20	30
	DK60C-09	DK60P-09	DK60G-09		9/16"	30	38
	DK100C-04	DK100P-04	DK100G-04	100,000 psi	1/4"	16	30
	DK150C-06	DK150P-06	DK150G-06	150,000 psi	3/8"	20	30

High Pressure Fitting Tube



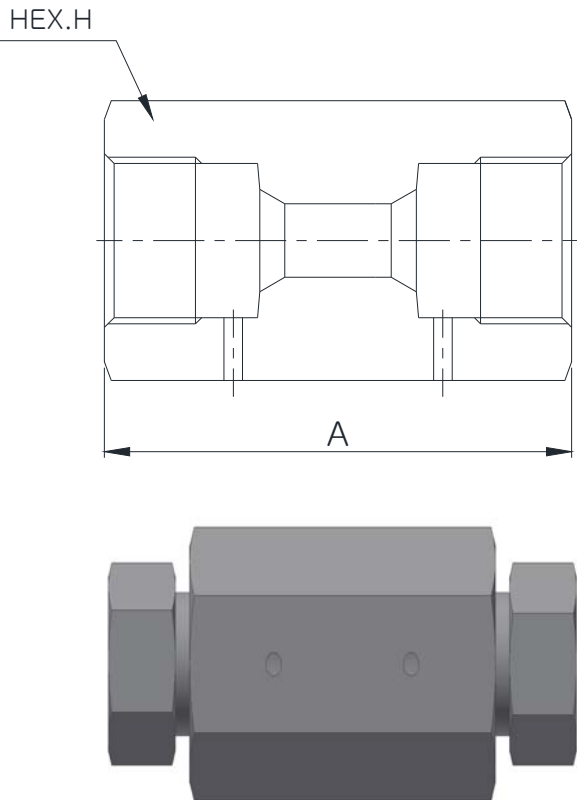
Part No.	Pressure Rating	Tube Size	Dimensions		Thickness	Flow Area(mm ²)	Working pressure psi (bar)				
			Outside Diameter	Inside Diameter			-17.8~37.8°C 0~100°F	93°C 200°F	204°C 400°F	316°C 600°F	343°C 650°F
DK11TL-02	11,000 psi	1/8"	3.18	1.57	0.81	1.94	803.23	803.23	775.65	730.83	679.12
DK11TL-04	11,500 psi	1/4"	6.35	3.18	1.57	7.74	803.23	761.86	775.65	730.83	679.12
DK07TL-06	7,500 psi	3/8"	9.53	6.35	1.57	31.61	517.1	517.1	496.41	468.84	434.36
DK05TL-08	5,500 psi	1/2"	12.7	9.53	1.57	70.97	379.21	379.21	361.97	341.29	317.15
							-198~37.8°C -325~100°F	93°C 200°F	204°C 400°F	316°C 600°F	427°C 800°F
DK20TL-04	20,000 psi	1/4"	6.35	2.77	1.78	5.81	1378.93	1378.93	1378.93	1244.48	1158.3
DK20TL-06		3/8"	9.53	5.16	2.18	20.65	1378.93	1378.93	1378.93	1244.48	1158.3
DK20TL-09		9/16"	14.29	7.92	3.18	49.03	1378.93	1378.93	1378.93	1244.48	1158.3
DK20TL-12		3/4"	19.05	11.13	3.96	97.42	1378.93	1378.93	1378.93	1244.48	1158.3
DK20TL-16		1"	25.4	14.27	5.56	160	1378.93	1378.93	1378.93	1244.48	1158.3
DK30TL-02	30,000 psi	1/8"	3.18	1.02	1.08						
DK30TL-16		1"	25.4	11.1	7.15						
DK60TL-04	60,000 psi	1/4"	6.35	2.11	2.11	3.23	4136.79	4136.79	3981.66	3740.35	3495.59
DK60TL-06		3/8"	9.53	3.18	3.18	7.74	4136.79	4136.79	3981.66	3740.35	3495.59
DK60TL-09		9/16"	14.29	4.78	4.75	18.06	4136.79	4136.79	3981.66	3740.35	3495.59
DK100TL-04	100,000 psi	1/4"	6.35	1.59	2.38	3.23	6894.64	6864.64	6633.24	6230.55	5820.46
DK150TL-06	150,000 psi	3/8"	9.53	1.59	3.97	7.74	10341.97	10341.97	9955.87	9400.85	8738.97

High Pressure Fitting Nipple



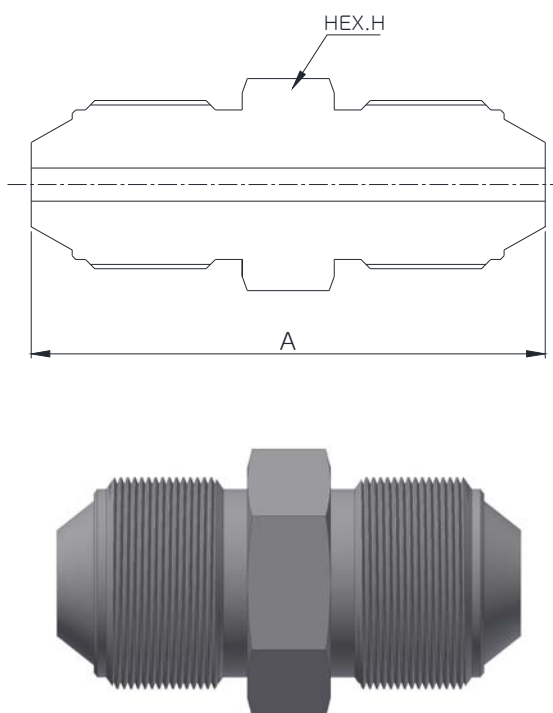
Part No.	Pressure Rating	Tube Size	Dimensions		Thickness	Flow Area(mm ²)	Working pressure psi (bar)				
			Outside Diameter	Inside Diameter			-198~37.8°C -325~100°F	93°C 200°F	204°C 400°F	316°C 600°F	427°C 800°F
DK20N-04	20,000 psi	1/4"	6.35	2.77	1.78	5.81	1378.93	1378.93	1378.93	1244.48	1158.3
DK20N-06		3/8"	9.53	5.16	2.18	20.65	1378.93	1378.93	1378.93	1244.48	1158.3
DK20N-09		9/16"	14.29	7.92	3.18	49.03	1378.93	1378.93	1378.93	1244.48	1158.3
DK20N-12		3/4"	19.05	11.13	3.96	97.42	1378.93	1378.93	1378.93	1244.48	1158.3
DK20N-16		1"	25.4	14.27	5.56	160	1378.93	1378.93	1378.93	1244.48	1158.3
DK30N-02	30,000 psi	1/8"	3.18	1.02	1.08						
DK30N-16		1"	25.4	11.1	7.15						
DK60N-04	60,000 psi	1/4"	6.35	2.11	2.11	3.23	4136.79	4136.79	3981.66	3740.35	3495.59
DK60N-06		3/8"	9.53	3.18	3.18	7.74	4136.79	4136.79	3981.66	3740.35	3495.59
DK60N-09		9/16"	14.29	4.78	4.75	18.06	4136.79	4136.79	3981.66	3740.35	3495.59
DK100N-04	100,000 psi	1/4"	6.35	1.59	2.38	3.23	6894.64	6864.64	6633.24	6230.55	5820.46
DK150N-06	150,000 psi	3/8"	9.53	1.59	3.97	7.74	10341.97	10341.97	9955.87	9400.85	8738.97

High Pressure Fitting Female Union



Part No.	Pressure Rating	Tube Size D1	Dimensions	
			HEX.H	A
DK11FAU-02	11,000 psi	1/8"	12.7	31
DK11FAU-04	11,500 psi	1/4"	16	41.5
DK07FAU-06	7,500 psi	3/8"	19	44.5
DK05FAU-08	5,500 psi	1/2"	25.4	50.5
DK20FAU-04	20,000 psi	1/4"	16	41.5
DK20FAU-06		3/8"	19	44.5
DK20FAU-09		9/16"	25.4	54
DK20FAU-12		3/4"	36	63.5
DK20FAU-16		1"	46	89
DK30FAU-02	30,000 psi	1/8"	20	31
DK30FAU-16		1"	46	91
DK60FAU-04	60,000 psi	1/4"	20	35
DK60FAU-06		3/8"	25.4	44.5
DK60FAU-09		9/16"	36	57

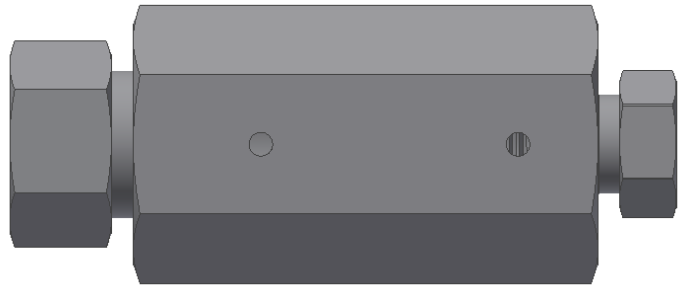
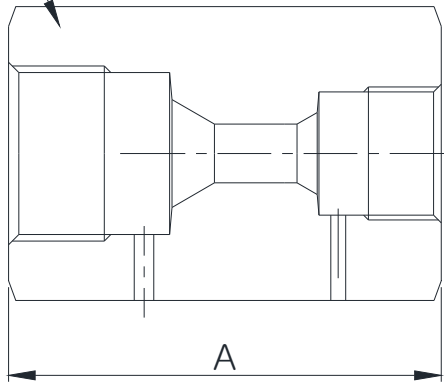
High Pressure Fitting Male Union



Part No.	Pressure Rating	Tube Size D1	Dimensions	
			HEX.H	A
DK11MAU-02	11,000 psi	1/8"	12.7	35
DK11MAU-04	11,500 psi	1/4"	16	47
DK07MAU-06	7,500 psi	3/8"	19	54
DK05MAU-08	5,500 psi	1/2"	25.4	57.5
DK20MAU-04	20,000 psi	1/4"	12.7	44
DK2MAU-06		3/8"	16	54
DK20MAU-09		9/16"	25.4	64
DK20MAU-12		3/4"	30	82
DK20MAU-16		1"	36	107
DK30MAU-02	30,000 psi	1/8"	14	38
DK30MAU-16		1"	36	109
DK60MAU-04	60,000 psi	1/4"	16	43
DK60MAU-06		3/8"	20	58
DK60MAU-09		9/16"	30	68

High Pressure Fitting Female Union Reducer

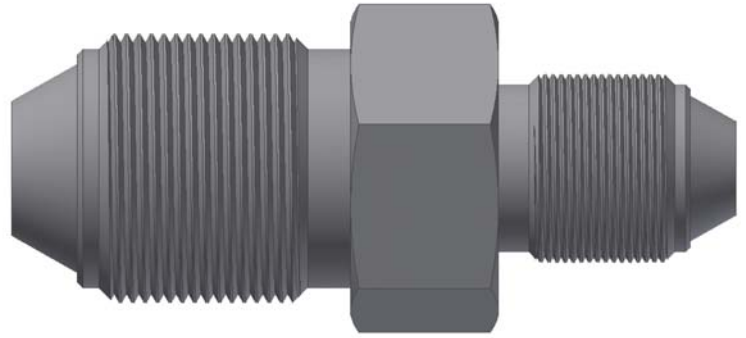
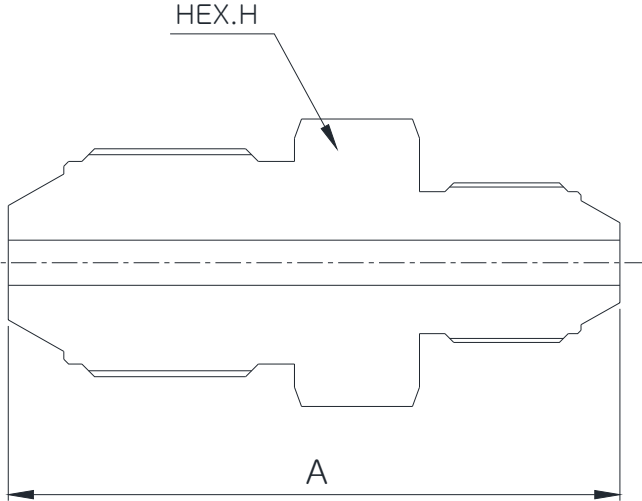
HEX.H



PART NO.			11,500 psi	7,500 psi	5,500 psi	20,000 psi					30,000 psi		60,000 psi			
			1/4"	3/8"	1/2"	1/4"	3/8"	9/16"	3/4"	1"	1/8"	1"	1/4"	3/8"	9/16"	
FEMALE END	11,500 psi	1/8"	DK11FARU02-L04	DK11FARU02-L06	DK11FARU02-L08	DK11FARU02-M04	DK11FARU02-M06	DK11FARU02-M09			DK11FARU02-3H02		DK11FARU02-6H04	DK11FARU02-6H06	DK11FARU02-6H09	
	11,500 psi	1/4"		DK11FARU04-L06	DK11FARU04-L08	DK11FARU04-M04	DK11FARU04-M06	DK11FARU04-M09	DK11FARU04-M12		DK11FARU04-3H02		DK11FARU04-6H04	DK11FARU04-6H06	DK11FARU04-6H09	
	7,500 psi	3/8"			DK07FARU06-L08	DK07FARU06-M04	DK07FARU06-M06	DK07FARU06-M09	DK07FARU06-M12	DK07FARU06-M16	DK07FARU06-3H02	DK07FARU06-3H16	DK07FARU06-6H04	DK07FARU06-6H06	DK07FARU06-6H09	
	5,500 psi	1/2"				DK05FARU08-M04	DK05FARU08-M06	DK05FARU08-M09	DK05FARU08-M12	DK05FARU08-M16	DK05FARU08-3H02	DK05FARU08-3H16	DK05FARU08-6H04	DK05FARU08-6H06	DK05FARU08-6H09	
	20,000 psi	1/4"					DK20FARU04-M06	DK20FARU04-M09	DK20FARU04-M12	DK20FARU04-M16	DK20FARU04-3H02		DK20FARU04-6H04	DK20FARU04-6H06	DK20FARU04-6H09	
		3/8"						DK20FARU06-M09	DK20FARU06-M12	DK20FARU06-M16	DK20FARU06-3H02	DK20FARU06-3H16	DK20FARU06-6H04	DK20FARU06-6H06	DK20FARU06-6H09	
		9/16"							DK20FARU09-M12	DK20FARU09-M16	DK20FARU09-3H02	DK20FARU09-3H16	DK20FARU09-6H04	DK20FARU09-6H06	DK20FARU09-6H09	
		3/4"								DK20FARU12-M16	DK20FARU12-3H02	DK20FARU12-3H16	DK20FARU12-6H04	DK20FARU12-6H06	DK20FARU12-6H09	
		1"										DK20FARU16-3H16	DK20FARU16-6H04	DK20FARU16-6H06	DK20FARU16-6H09	
	30,000 psi	1/8"												DK30FARU02-6H04	DK30FARU02-6H06	DK30FARU02-6H09
		1"												DK30FARU16-6H04	DK30FARU16-6H06	DK30FARU16-6H09
	60,000 psi	1/4"													DK60FARU04-6H06	DK60FARU04-6H09
		3/8"														DK60FARU06-6H09

DIMENSIONS			11,500 psi	7,500 psi	5,500 psi	20,000 psi					30,000 psi				60,000 psi														
			1/4"		3/8"		1/2"		1/4"		3/8"		9/16"		3/4"		1"		1/8"		1"		1/4"		3/8"		9/16"		
			HEX.H	A	HEX.H	A	HEX.H	A	HEX.H	A	HEX.H	A	HEX.H	A	HEX.H	A	HEX.H	A	HEX.H	A	HEX.H	A	HEX.H	A	HEX.H	A	HEX.H	A	
FEMALE END	11,500 psi	1/8"	16	36.5	19	38	25.4	41.5	16	35	19	38	25.4	44.5					20	31			19	31.5	25.4	38	36	44.5	
	11,500 psi	1/4"			19	43	25.4	47.5	16	41.5	19	44.5	25.4	50.5	36	57			20	38			19	3.8	25.4	43	36	52	
	7,500 psi	3/8"				25.4	47.5	19	41.5	19	44.5	25.4	50.5	36	57	46	76	20	38	46	76	19	41.5	25.4	46	36	51		
	5,500 psi	1/2"					25.4	41.5	25.4	41.5	25.4	50.5	36	57	46	76	25.4	43	46	76	25.4	43	25.4	47.5	36	52			
	20,000 psi	1/4"								19	44.5	25.4	50.5	36	57	46	70	20	38					19	35	25.4	41.5	36	47.5
		3/8"										25.4	50.5	36	57	46	73	20	40	46	76	19	41.5	25.4	50.5	36	50.5		
		9/16"												36	63.5	46	76	25.4	48	46	76	25.4	50.5	25.4	50.5	36	57		
		3/4"														46	76	36	53.5	46	76	36	53.5	36	60	36	70		
		1"																		46	91	46	70	46	73	46	82.5		
	30,000 psi	1/8"																						20	31	25.4	38	36	44.5
		1"																						46	68	46	73	46	78
	60,000 psi	1/4"																								25.4	44.5	36	57
		3/8"																										36	57

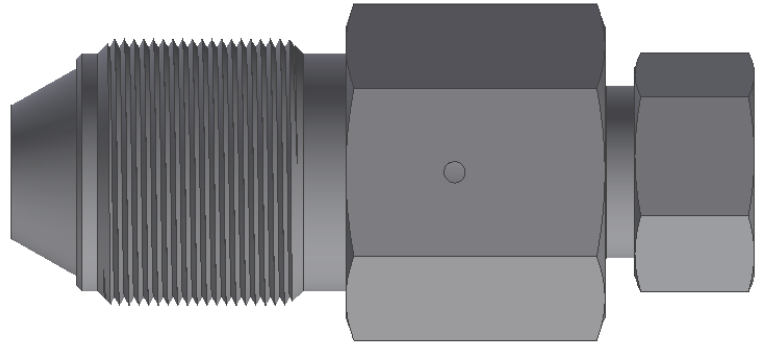
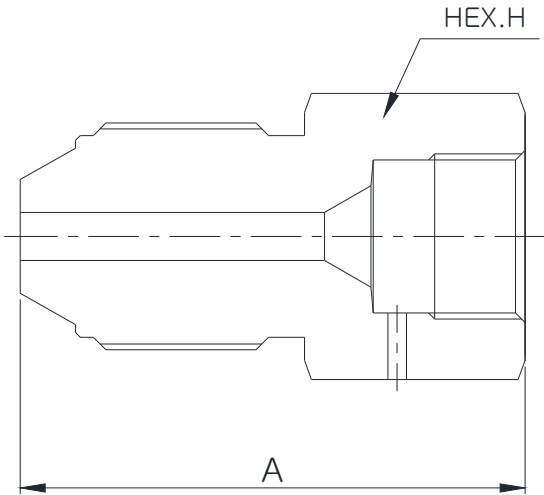
High Pressure Fitting Male Union Reducer



PART NO.		MALE END																
		11,500 psi		7,500 psi		5,500 psi		20,000 psi					30,000 psi		60,000 psi			
		1/4"	3/8"	1/2"	1/4"	3/8"	9/16"	3/4"	1"	1/8"	1"	1/4"	3/8"	9/16"				
MALE END	11,500 psi	1/8"	DK11MARU02-L04	DK11MARU02-L06	DK11MARU02-L08	DK11MARU02-M04	DK11MARU02-M06	DK11MARU02-M09						DK11MARU02-3H02		DK11MARU02-6H04	DK11MARU02-6H06	DK11MARU02-6H09
	11,500 psi	1/4"		DK11MARU04-L06	DK11MARU04-L08	DK11MARU04-M04	DK11MARU04-M06	DK11MARU04-M09	DK11MARU04-M12					DK11MARU04-3H02		DK11MARU04-6H04	DK11MARU04-6H06	DK11MARU04-6H09
	7,500 psi	3/8"			DK07MARU06-L08	DK07MARU06-M04	DK07MARU06-M06	DK07MARU06-M09	DK07MARU06-M12	DK07MARU06-M16	DK07MARU06-3H02	DK07MARU06-3H16	DK07MARU06-6H04	DK07MARU06-6H06	DK07MARU06-6H09			
	5,500 psi	1/2"				DK05MARU08-M04	DK05MARU08-M06	DK05MARU08-M09	DK05MARU08-M12	DK05MARU08-M16	DK05MARU08-3H02	DK05MARU08-3H16	DK05MARU08-6H04	DK05MARU08-6H06	DK05MARU08-6H09			
	20,000 psi	1/4"					DK20MARU04-M06	DK20MARU04-M09	DK20MARU04-M12	DK20MARU04-M16	DK20MARU04-3H02	DK20MARU04-3H16	DK20MARU04-6H04	DK20MARU04-6H06	DK20MARU04-6H09			
		3/8"						DK20MARU06-M09	DK20MARU06-M12	DK20MARU06-M16	DK20MARU06-3H02	DK20MARU06-3H16	DK20MARU06-6H04	DK20MARU06-6H06	DK20MARU06-6H09			
		9/16"							DK20MARU09-M12	DK20MARU09-M16	DK20MARU09-3H02	DK20MARU09-3H16	DK20MARU09-6H04	DK20MARU09-6H06	DK20MARU09-6H09			
		3/4"								DK20MARU12-M16	DK20MARU12-3H02	DK20MARU12-3H16	DK20MARU12-6H04	DK20MARU12-6H06	DK20MARU12-6H09			
		1"										DK20MARU16-3H16	DK20MARU16-6H04	DK20MARU16-6H06	DK20MARU16-6H09			
	30,000 psi	1/8"														DK30MARU02-6H04	DK30MARU02-6H06	DK30MARU02-6H09
		1"														DK30MARU16-6H04	DK30MARU16-6H06	DK30MARU16-6H09
	60,000 psi	1/4"															DK60MARU04-6H06	DK60MARU04-6H09
		3/8"																DK60MARU06-6H09

DIMENSIONS		MALE END																										
		11,500 psi		7,500 psi		5,500 psi		20,000 psi					30,000 psi				60,000 psi											
		1/4"	3/8"	1/2"	1/4"	3/8"	9/16"	3/4"	1"	1/8"	1"	1/4"	3/8"	9/16"														
MALE END	11,500 psi	1/8"	HEX.H	A	HEX.H	A	HEX.H	A	HEX.H	A	HEX.H	A	HEX.H	A	HEX.H	A	HEX.H	A	HEX.H	A	HEX.H	A	HEX.H	A				
	11,500 psi	1/4"			19	51.5	25.4	54.5	16	44.5	16	48.5	25.4	56.5	30	65			14	41.5			16	46	25.4	55	30	59.5
	7,500 psi	3/8"				25.4	57	19	47	19	51	25.4	59	30	67.5	36	77.5	19	44	36	78.5	19	48.5	25.4	57.5	30	62	
	5,500 psi	1/2"					25.4	54	25.4	58	25.4	62	30	70	36	80	25.4	51	36	81	25.4	51.5	25.4	60	30	64.5		
	20,000 psi	1/4"								16	48	25.4	56	30	64.5	36	78.5	14	41			16	45.5	20	54.5	30	61	
		3/8"									25.4	60	30	70	36	84.5	16	45	36	85.5	16	49.5	20	58.5	30	65		
		9/16"										25.4	60	30	76	36	91	25.4	53	36	92	22	56	22	62.5	30	69	
		3/4"													36	97	30	65	36	98	30	62	30	70.5	30	75		
		1"																	36	108	36	76.5	36	82.5	36	88		
	30,000 psi	1/8"																				16	42.5	20	51.5	30	58	
		1"																				36	81.5	36	87.5	36	91	
	60,000 psi	1/4"																							20	52	30	58.5
		3/8"																								30	64.5	

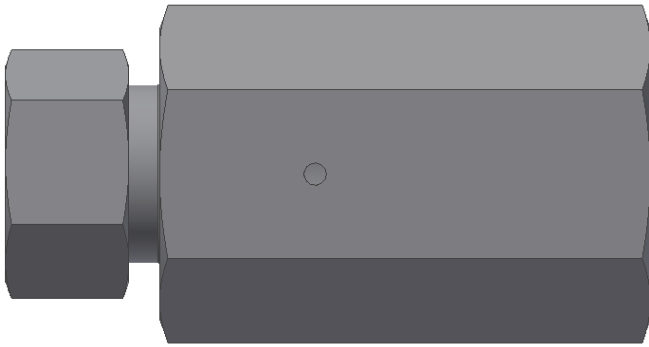
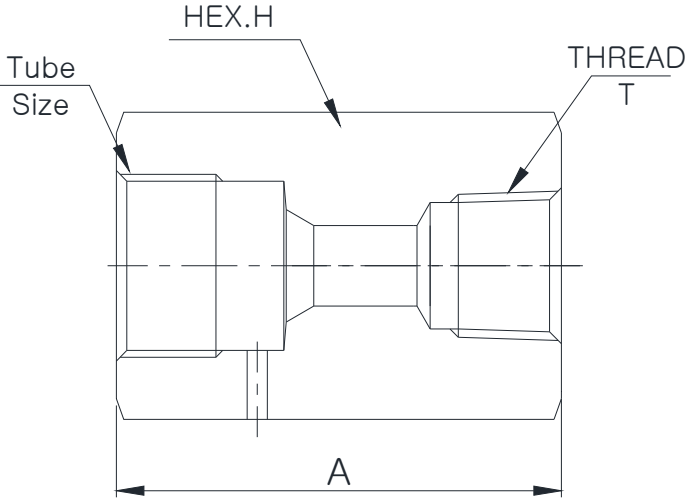
High Pressure Fitting Male Adapter * Female Adapter



PART NO.	FEMALE END														
	11,000 psi 1/8"	11,500 psi 1/4"	7,500 psi 3/8"	5,500 psi 1/2"	20,000 psi					30,000 psi		60,000 psi			
	1/8"	1/4"	3/8"	1/2"	1/4"	3/8"	9/16"	3/4"	1"	1/8"	1"	1/4"	3/8"	9/16"	
11,000 psi 1/8"		DK11FAMA02-L04	DK11FAMA02-L06	DK11FAMA02-L08	DK11FAMA02-M04	DK11FAMA02-M06	DK11FAMA02-M09			DK11FAMA02-3H02		DK11FAMA02-6H04	DK11FAMA02-6H06	DK11FAMA02-6H09	
11,500 psi 1/4"	DK11FAMA04-L02		DK11FAMA04-L06	DK11FAMA04-L08	DK11FAMA04-M04	DK11FAMA04-M06	DK11FAMA04-M09	DK11FAMA04-M12		DK11FAMA04-3H02		DK11FAMA04-6H04	DK11FAMA04-6H06	DK11FAMA04-6H09	
7,500 psi 3/8"	DK07FAMA06-L02	DK07FAMA06-L04		DK07FAMA06-L08	DK07FAMA06-M04	DK07FAMA06-M06	DK07FAMA06-M09	DK07FAMA06-M12	DK07FAMA06-M16	DK07FAMA06-3H02	DK07FAMA06-3H16	DK07FAMA06-6H04	DK07FAMA06-6H06	DK07FAMA06-6H09	
5,500 psi 1/2"	DK05FAMA08-L02	DK05FAMA08-L04	DK05FAMA08-L06		DK05FAMA08-M04	DK05FAMA08-M06	DK05FAMA08-M09	DK05FAMA08-M12	DK05FAMA08-M16	DK05FAMA08-3H02	DK05FAMA08-3H16	DK05FAMA08-6H04	DK05FAMA08-6H06	DK05FAMA08-6H09	
20,000 psi	1/4"	DK20FAMA04-L02	DK20FAMA04-L04	DK20FAMA04-L06	DK20FAMA04-L08		DK20FAMA04-M06	DK20FAMA04-M09	DK20FAMA04-M12	DK20FAMA04-M16	DK20FAMA04-3H02	DK20FAMA04-3H16	DK20FAMA04-6H04	DK20FAMA04-6H06	DK20FAMA04-6H09
	3/8"	DK20FAMA06-L02	DK20FAMA06-L04	DK20FAMA06-L06	DK20FAMA06-L08	DK20FAMA06-M04		DK20FAMA06-M09	DK20FAMA06-M12	DK20FAMA06-M16	DK20FAMA06-3H02	DK20FAMA06-3H16	DK20FAMA06-6H04	DK20FAMA06-6H06	DK20FAMA06-6H09
	9/16"	DK20FAMA09-L02	DK20FAMA09-L04	DK20FAMA09-L06	DK20FAMA09-L08	DK20FAMA09-M04	DK20FAMA09-M06		DK20FAMA09-M12	DK20FAMA09-M16	DK20FAMA09-3H02	DK20FAMA09-3H16	DK20FAMA09-6H04	DK20FAMA09-6H06	DK20FAMA09-6H09
	3/4"		DK20FAMA12-L04	DK20FAMA12-L06	DK20FAMA12-L08	DK20FAMA12-M04	DK20FAMA12-M06	DK20FAMA12-M09		DK20FAMA12-M16		DK20FAMA12-3H16	DK20FAMA12-6H04	DK20FAMA12-6H06	DK20FAMA12-6H09
	1"		DK20FAMA16-L04	DK20FAMA16-L06	DK20FAMA16-L08	DK20FAMA16-M04	DK20FAMA16-M06	DK20FAMA16-M09	DK20FAMA16-M12			DK20FAMA16-3H16	DK20FAMA16-6H04	DK20FAMA16-6H06	DK20FAMA16-6H09
30,000 psi	1/8"	DK30FAMA02-L02	DK30FAMA02-L04	DK30FAMA02-L06	DK30FAMA02-L08	DK30FAMA02-M04	DK30FAMA02-M06	DK30FAMA02-M09					DK30FAMA02-6H04	DK30FAMA02-6H06	DK30FAMA02-6H09
	1"		DK30FAMA16-L04	DK30FAMA16-L06	DK30FAMA16-L08	DK30FAMA16-M04	DK30FAMA16-M06	DK30FAMA16-M09	DK30FAMA16-M12	DK30FAMA16-M16	DK30FAMA16-3H02		DK30FAMA16-6H04	DK30FAMA16-6H06	DK30FAMA16-6H09
60,000 psi	1/4"	DK60FAMA04-L02	DK60FAMA04-L04	DK60FAMA04-L06	DK60FAMA04-L08	DK60FAMA04-M04	DK60FAMA04-M06	DK60FAMA04-M09	DK60FAMA04-M12	DK60FAMA04-M16	DK60FAMA04-3H02	DK60FAMA04-3H16	DK60FAMA04-6H04	DK60FAMA04-6H06	DK60FAMA04-6H09
	3/8"	DK60FAMA06-L02	DK60FAMA06-L04	DK60FAMA06-L06	DK60FAMA06-L08	DK60FAMA06-M04	DK60FAMA06-M06	DK60FAMA06-M09	DK60FAMA06-M12	DK60FAMA06-M16	DK60FAMA06-3H02	DK60FAMA06-3H16	DK60FAMA06-6H04		DK60FAMA06-6H09
	9/16"	DK60FAMA09-L02	DK60FAMA09-L04	DK60FAMA09-L06	DK60FAMA09-L08	DK60FAMA09-M04	DK60FAMA09-M06	DK60FAMA09-M09	DK60FAMA09-M12	DK60FAMA09-M16	DK60FAMA09-3H02	DK60FAMA09-3H16	DK60FAMA09-6H04	DK60FAMA09-6H06	

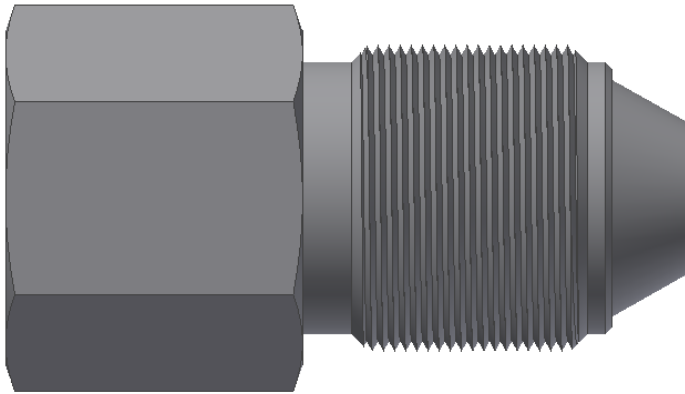
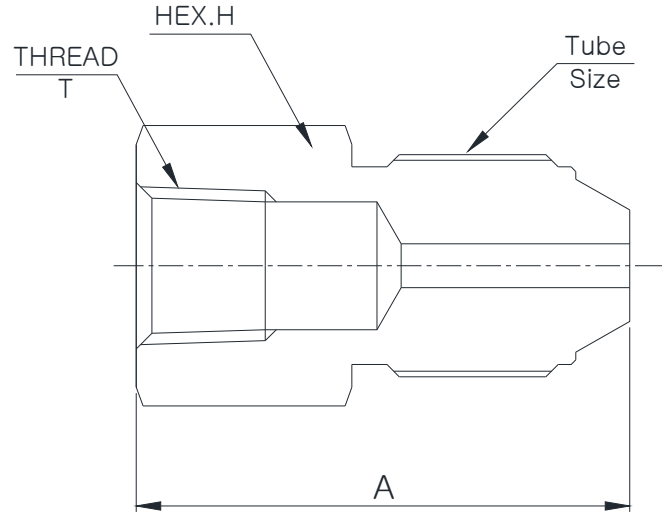
DIMENSIONS	FEMALE END																															
	11,500 psi		11,500 psi		7,500 psi		5,500 psi		20,000 psi						30,000 psi		60,000 psi															
	1/8"	1/4"	3/8"	1/2"	1/4"	3/8"	9/16"	3/4"	1"	1/8"	1"	1/4"	3/8"	9/16"																		
HEX.H	A	HEX.H	A	HEX.H	A	HEX.H	A	HEX.H	A	HEX.H	A	HEX.H	A	HEX.H	A	HEX.H	A	HEX.H	A													
MALE END	11,500 psi 1/8"		16	32	19	35	25.4	38	16	32	19	35	25.4	42		20	27		19	29	25.4	34	36	40								
	11,500 psi 1/4"	16	27.5			19	41.5	25.4	44.5	16	35	19	42.5	25.4	48	36	57.5		20	35		19	32.5	25.4	39.5	36	45.5					
	7,500 psi 3/8"	19	30	19	35			25.4	45	19	35	19	40	25.4	48	36	57.5	46	70	20	35	46	70	19	35	25.4	42	36	45.5			
	5,500 psi 1/2"	25.4	33	25.4	33	25.4	37			25.4	37	25.4	40	25.4	48	36	57.5	46	70	25.4	37	46	70	25.4	35	25.4	42	36	45.5			
	20,000 psi	1/4"	16	34	16	40	19	40	25.4	43					19	40	25.4	50	36	57.5	46	70	20	37	46	70	19	32	25.4	42	36	45.5
		3/8"	16	34	16	40	19	44	25.4	48	16	36			25.4	52	36	57.5	46	72	20	37	46	72	19	36.5	25.4	42	36	47		
		9/16"	22	40	22	44	22	45	25.4	49	24	40	24	46			36	62.5	46	75	22	40	46	75	22	40	25.4	47	36	52		
		3/4"			30	46	30	50	30	56	30	48	30	52	30	57					46	80			46	80	30	48	30	52	36	58
	1"			36	54	36	54	36	54	36	56	36	59	36	63	36	70							46	81	36	54	36	60	36	64	
	30,000 psi	1/8"	16	29	16	34	19	37	25.4	40	16	31	19	37	25.4	44										19	30	25.4	36	36	46	
		1"			36	55	36	55	36	55	36	57	36	60	36	64	36	70								36	55	36	61	36	65	
	60,000 psi	1/4"	16	30	16	35	19	38	25.4	42	16	32	19	40	25.4	46	36	55			20	32						24.4	44.5	36	49.5	
3/8"		20	35.5	20	41.5	20	42.5	25.4	44.5	20	42.5	20	43.5	25.4	50.5	36	57.5	46	74.5	20	35.5	46	74.5	20	38.5			36	44.5			
9/16"	30	38	30	42.5	30	42.5	30	44.5	30	42.5	30	46	30	51	36	61	46	78	30	38	46	78	30	36.5	30	39						

High Pressure Fitting Female Adapter Female Thread



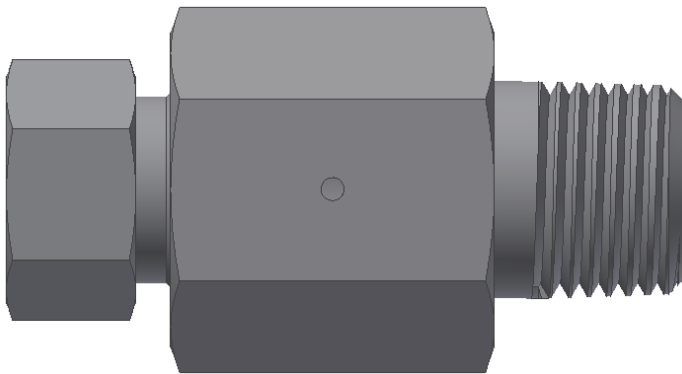
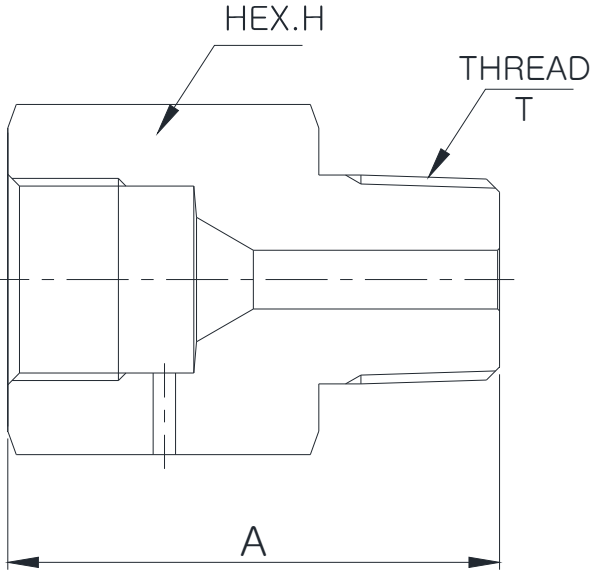
CONNECTION TYPE	Part No.	Pressure Rating	Tube Size	Thread T F.NPT	Dimensions		
					HEX.H	A	
LOW PRESSURE 11,500 psi	DK11FAF02-2N	11,000 psi	1/8"	1/8"	16	35	
	DK11FAF02-4N			1/4"	19	38	
	DK11FAF02-6N			3/8"	25.4	41	
	DK11FAF02-8N			1/2"	30	50.5	
	DK11FAF04-2N	11,500 psi	1/4"	1/8"	16	38	
	DK11FAF04-4N			1/4"	19	41.5	
	DK11FAF04-6N			3/8"	25.4	44.5	
	DK11FAF04-8N			1/2"	30	54	
	DK11FAF04-12N	7,500 psi	3/8"	3/4"	36	55.5	
	DK07FAF06-2N			1/8"	19	41.5	
	DK07FAF06-4N			1/4"	19	44.5	
	DK07FAF06-6N			3/8"	25.4	48	
	DK07FAF06-7N	5,500 psi	1/2"	1/2"	30	54	
	DK07FAF06-12N			3/4"	36	58.5	
	DK07FAF06-16N			1"	46	68	
	DK05FAF08-2N			1/8"	25.4	38	
	DK05FAF08-4N	5,500 psi	1/2"	1/4"	25.4	50.5	
	DK05FAF08-6N			3/8"	25.4	50.5	
	DK05FAF08-8N			1/2"	30	57	
	DK05FAF08-12N			3/4"	36	63.5	
	DK05FAF08-16N	15,000 psi	1/4"	1"	46	72	
	DK20FAF04-2N			1/8"	16	35	
	DK20FAF04-4N			1/4"	19	41.5	
	DK20FAF04-6N			3/8"	25.4	41.5	
DK20FAF04-8N	10,000 psi	3/8"	1/2"	30	50.5		
DK20FAF04-12N			3/4"	36	57		
DK20FAF06-2N			1"	46	66.5		
DK20FAF06-4N			1/8"	19	38		
DK20FAF06-4N	15,000 psi	3/8"	1/4"	19	44.5		
DK20FAF06-6N			3/8"	25.4	46		
DK20FAF06-8N			1/2"	30	54		
DK20FAF06-12N			3/4"	36	57		
DK20FAF06-16N	10,000 psi	9/16"	1"	46	66.5		
DK20FAF09-2N			1/8"	25.4	41.5		
DK20FAF09-4N			1/4"	25.4	50.5		
DK20FAF09-6N			3/8"	25.4	50.5		
DK20FAF09-8N	15,000 psi	1/2"	1/2"	30	57		
DK20FAF09-12N			3/4"	36	57		
DK20FAF09-16N			1"	46	66.5		
DK20FAF12-4N			1/4"	36	54.5		
DK20FAF12-6N	15,000 psi	3/4"	3/8"	36	60		
DK20FAF12-8N			1/2"	36	66.5		
DK20FAF12-12N			3/4"	36	66.5		
DK20FAF12-16N			1"	46	73		
DK20FAF16-4N	10,000 psi	1"	1/4"	46	67		
DK20FAF16-6N			3/8"	46	67		
DK20FAF16-8N			1/2"	46	73		
DK20FAF16-12N			3/4"	46	76		
DK20FAF16-16N	15,000 psi	1"	1"	46	83		
DK30FAF02-2N			1/8"	20	31		
DK30FAF02-4N			1/4"	20	36		
DK30FAF02-6N			3/8"	25.4	41		
DK30FAF02-8N	15,000 psi	1/8"	1/2"	30	45.5		
DK30FAF16-4N			1/4"	46	71		
DK30FAF16-6N			3/8"	46	71		
DK30FAF16-8N			1/2"	46	76		
DK30FAF16-12N	15,000 psi	1"	3/4"	46	80		
DK30FAF16-16N			1"	46	87		
DK60FAF04-2N			10,000 psi	1/4"	1/8"	19	35
DK60FAF04-4N					1/4"	19	41.5
DK60FAF04-6N	3/8"	25.4			41.5		
DK60FAF04-8N	1/2"	30			50.5		
DK60FAF04-12N	15,000 psi	3/8"	3/4"	36	55.5		
DK60FAF06-2N			1/8"	25.4	41.5		
DK60FAF06-4N			1/4"	25.4	47.5		
DK60FAF06-6N			3/8"	25.4	47.5		
DK60FAF06-8N	10,000 psi	3/8"	1/2"	30	54		
DK60FAF06-12N			3/4"	36	58.5		
DK60FAF06-16N			1"	46	65.5		
DK60FAF09-2N			1/8"	36	46		
DK60FAF09-4N	15,000 psi	9/16"	1/4"	36	50.5		
DK60FAF09-6N			3/8"	36	50.5		
DK60FAF09-8N			1/2"	36	56.5		
DK60FAF09-12N			3/4"	36	60		
DK60FAF09-16N	10,000 psi	1"	1"	46	68		

High Pressure Fitting Male Adapter Female Thread



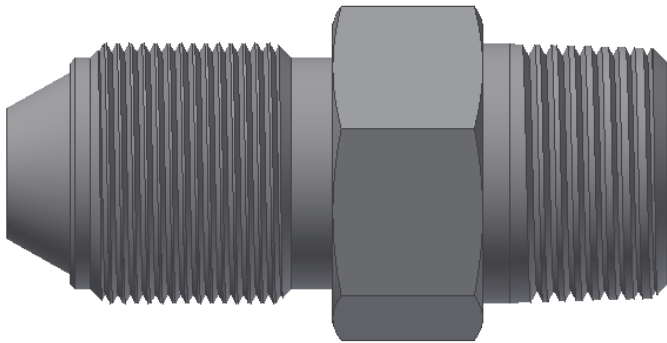
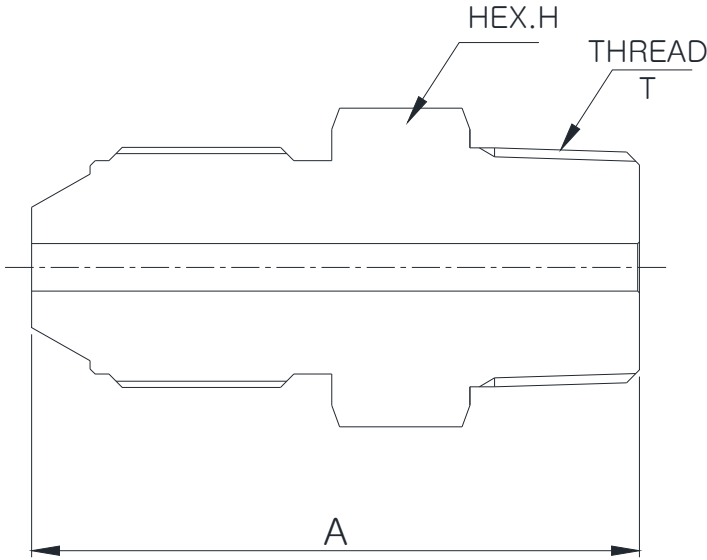
CONNECTION TYPE	Part No.	Pressure Rating	Tube Size	Thread T F.NPT	Dimensions			
					HEX.H	A		
LOW PRESSURE 11,500 psi	DK11FAF02-2N	11,000 psi	1/8"	1/8"	16	35		
	DK11FAF02-4N			1/4"	19	38		
	DK11FAF02-6N			3/8"	25.4	41		
	DK11FAF02-8N			1/2"	30	50.5		
	DK11FAF04-2N	11,500 psi	1/4"	1/8"	16	38		
	DK11FAF04-4N			1/4"	19	41.5		
	DK11FAF04-6N			3/8"	25.4	44.5		
	DK11FAF04-8N			1/2"	30	54		
	DK11FAF04-12N	7,500 psi	3/8"	3/4"	36	55.5		
	DK07FAF06-2N			1/8"	19	41.5		
	DK07FAF06-4N			1/4"	19	44.5		
	DK07FAF06-6N			3/8"	25.4	48		
	DK07FAF06-7N			1/2"	30	54		
	DK07FAF06-12N			3/4"	36	58.5		
	DK07FAF06-16N			1"	46	68		
	DK05FAF08-2N			5,500 psi	1/2"	1/8"	25.4	38
	DK05FAF08-4N	1/4"	25.4			50.5		
	DK05FAF08-6N	3/8"	25.4			50.5		
	DK05FAF08-8N	1/2"	30			57		
	DK05FAF08-12N	3/4"	36			63.5		
DK05FAF08-16N	1"	46	72					
MEDIUM PRESSURE 20,000 psi	DK20FAF04-2N	15,000 psi	1/4"	1/8"	16	35		
	DK20FAF04-4N			1/4"	19	41.5		
	DK20FAF04-6N			3/8"	25.4	41.5		
	DK20FAF04-8N			1/2"	30	50.5		
	DK20FAF04-12N	10,000 psi	3/8"	3/4"	36	57		
	DK20FAF06-2N	15,000 psi		1/8"	19	38		
	DK20FAF06-4N			1/4"	19	44.5		
	DK20FAF06-6N			3/8"	25.4	46		
	DK20FAF06-8N			1/2"	30	54		
	DK20FAF06-12N	10,000 psi		3/4"	3/4"	36	57	
	DK20FAF06-16N				1"	46	66.5	
	DK20FAF09-2N				15,000 psi	9/16"	1/8"	25.4
	DK20FAF09-4N		1/4"				25.4	50.5
	DK20FAF09-6N	3/8"	25.4	50.5				
	DK20FAF09-8N	1/2"	30	57				
	DK20FAF09-12N	10,000 psi	3/4"	3/4"	36	57		
	DK20FAF09-16N			1"	46	66.5		
	DK20FAF12-4N			15,000 psi	3/4"	1/4"	36	54.5
	DK20FAF12-6N					3/8"	36	60
	DK20FAF12-8N	1/2"	36			66.5		
	DK20FAF12-12N	3/4"	36			66.5		
	DK20FAF12-16N	10,000 psi	1"	1"	46	73		
	DK20FAF16-4N	15,000 psi		1"	1/4"	46	67	
	DK20FAF16-6N				3/8"	46	67	
	DK20FAF16-8N				1/2"	46	73	
	DK20FAF16-12N		3/4"		46	76		
	DK20FAF16-16N	10,000 psi	1"	1"	46	83		
	HIGH PRESSURE	30,000 psi		15,000 psi	1/8"	1/8"	20	31
1/4"						20	36	
3/8"						25.4	41	
1/2"			30			45.5		
15,000 psi			1"	1/4"	46	71		
				3/8"	46	71		
10,000 psi		1"	1/2"	46	76			
			3/4"	46	80			
1"		46	87					
60,000 psi		15,000 psi	1/4"	1/8"	19	35		
				1/4"	19	41.5		
				3/8"	25.4	41.5		
	1/2"			30	50.5			
	3/4"			36	55.5			
	1"			46	65.5			
	15,000 psi	3/8"	1/8"	25.4	41.5			
			1/4"	25.4	47.5			
			3/8"	25.4	47.5			
			1/2"	30	54			
			3/4"	36	58.5			
			1"	46	65.5			
	10,000 psi	9/16"	1/8"	36	46			
			1/4"	36	50.5			
			3/8"	36	50.5			
			1/2"	36	56.5			
			3/4"	36	60			
			1"	46	68			

High Pressure Fitting Female Adapter Male Thread



CONNECTION TYPE	Part No.	Pressure Rating	Tube Size	Thread T M.NPT	Dimensions						
					HEX.H	A					
LOW PRESSURE 11,500 psi	DK11FAF02-2N	11,000 psi	1/8"	1/8"	12.7	25					
	DK11FAF02-4N			1/4"	16	28					
	DK11FAF02-6N			3/8"	19	30					
	DK11FAF02-8N			1/2"	25.4	37					
	DK11FAF04-2N	11,500 psi	1/4"	1/8"	16	31					
	DK11FAF04-4N			1/4"	16	35					
	DK11FAF04-6N			3/8"	19	35					
	DK11FAF04-8N			1/2"	25.4	41					
	DK11FAF04-12N			3/4"	30	44.5					
	DK07FAF06-2N	7,500 psi	3/8"	1/8"	19	36					
	DK07FAF06-4N			1/4"	19	38					
	DK07FAF06-6N			3/8"	19	38					
	DK07FAF06-7N			1/2"	25.4	43					
	DK07FAF06-12N			3/4"	30	44.5					
	DK07FAF06-16N			1"	36	45					
	DK05FAF08-2N	5,500 psi	1/2"	1/8"	25.4	38					
	DK05FAF08-4N			1/4"	25.4	41					
	DK05FAF08-6N			3/8"	25.4	42					
	DK05FAF08-8N			1/2"	25.4	47					
	DK05FAF08-12N			3/4"	30	46.5					
	DK05FAF08-16N			1"	36	45					
	MEDIUM PRESSURE 20,000 psi	DK20FAF04-2N	15,000 psi	1/4"	1/8"	16	28				
		DK20FAF04-4N			1/4"	16	33				
		DK20FAF04-6N			3/8"	19	35				
DK20FAF04-8N		1/2"			25.4	37					
DK20FAF04-12N		10,000 psi		3/4"	30	44.5					
DK20FAF06-2N		15,000 psi	3/8"	1/8"	19	36					
DK20FAF06-4N				1/4"	19	36					
DK20FAF06-6N				3/8"	19	38					
DK20FAF06-8N				1/2"	25.4	43					
DK20FAF06-12N		10,000 psi	3/4"	3/4"	30	44.5					
DK20FAF06-16N				1"	36	50					
DK20FAF09-2N				15,000 psi	9/16"	1/8"	25.4	42			
DK20FAF09-4N						1/4"	25.4	44			
DK20FAF09-6N		3/8"	25.4			42					
DK20FAF09-8N		1/2"	25.4			47					
DK20FAF09-12N		10,000 psi	1"	3/4"	30	50.5					
DK20FAF09-16N				1"	36	55					
DK20FAF12-4N				15,000 psi	3/4"	1/4"	36	52			
DK20FAF12-6N						3/8"	36	52			
DK20FAF12-8N		1/2"	36			52					
DK20FAF12-12N		3/4"	36			57					
DK20FAF12-16N		10,000 psi	1"	1"	36	57					
DK20FAF16-4N				15,000 psi	1"	1/4"	46	68			
DK20FAF16-6N						3/8"	46	68			
DK20FAF16-8N	1/2"					46	68				
DK20FAF16-12N	10,000 psi	1"	3/4"			46	68				
DK20FAF16-16N			1"	46	70						
HIGH PRESSURE	30,000 psi	15,000 psi	1/8"	DK30FAF02-2N	1/8"	20	25				
				DK30FAF02-4N	1/4"	20	30				
				DK30FAF02-6N	3/8"	20	30				
				DK30FAF02-8N	1/2"	25.4	37				
				DK30FAF02-12N	3/4"	30	44.5				
				DK30FAF16-4N	1/4"	46	68				
		15,000 psi	1"	DK30FAF16-6N	3/8"	46	68				
				DK30FAF16-8N	1/2"	46	68				
				DK30FAF16-12N	3/4"	46	68				
				10,000 psi	1"	DK30FAF16-16N	1"	46	70		
						15,000 psi	1/4"	DK60FAF04-2N	1/8"	19	28
								DK60FAF04-4N	1/4"	19	33
	DK60FAF04-6N	3/8"	19					33			
	DK60FAF04-8N	1/2"	25.4					37			
	DK60FAF04-12N	3/4"	30					44.5			
	DK60FAF06-2N	15,000 psi	3/8"	1/8"	25.4			36			
	DK60FAF06-4N			1/4"	25.4	38					
	DK60FAF06-6N			3/8"	25.4	38					
	DK60FAF06-8N			1/2"	25.4	43					
	DK60FAF06-12N			10,000 psi	3/4"	30	50.5				
	DK60FAF06-16N			1"	36	50					
	60,000 psi	15,000 psi	9/16"	DK60FAF09-2N	1/8"	36	41				
				DK60FAF09-4N	1/4"	36	43				
				DK60FAF09-6N	3/8"	36	44				
DK60FAF09-8N				1/2"	36	47					
10,000 psi		1"	DK60FAF09-12N	3/4"	36	54					
			DK60FAF09-16N	1"	36	57					

High Pressure Fitting Male Adapter Male Thread



CONNECTION TYPE	Part No.	Pressure Rating	Tube Size	Thread T M.NPT	Dimensions		
					HEX.H	A	
LOW PRESSURE 11,500 psi	DK11MAM02-2N	11,000 psi	1/8"	1/8"	12.7	34.5	
	DK11MAM02-4N			1/4"	16	41.5	
	DK11MAM02-6N			3/8"	19	44.5	
	DK11MAM02-8N			1/2"	25.4	49.5	
	DK11MAM04-2N	11,500 psi	1/4"	1/8"	16	39.5	
	DK11MAM04-4N			1/4"	16	44.5	
	DK11MAM04-6N			3/8"	19	47.5	
	DK11MAM04-8N			1/2"	25.4	54.5	
	DK11MAM04-12N			3/4"	30	57.5	
	DK07MAM06-2N	7,500 psi	3/8"	1/8"	19	42	
	DK07MAM06-4N			1/4"	19	47	
	DK07MAM06-6N			3/8"	19	50	
	DK07MAM06-7N			1/2"	25.4	57	
	DK07MAM06-12N			3/4"	30	60	
	DK07MAM06-16N			1"	36	60	
	DK05MAM08-2N	5,500 psi	1/2"	1/8"	25.4	44.5	
	DK05MAM08-4N			1/4"	25.4	47.5	
	DK05MAM08-6N			3/8"	25.4	50.5	
	DK05MAM08-8N			1/2"	25.4	57.5	
	DK05MAM08-12N			3/4"	30	60.5	
DK05MAM08-16N	1"			36	66.5		
MEDIUM PRESSURE 20,000 psi	DK20MAM04-2N	15,000 psi	1/4"	1/8"	12.7	41	
	DK20MAM04-4N			1/4"	16	44	
	DK20MAM04-6N			3/8"	19	46	
	DK20MAM04-8N			1/2"	25.4	54	
	DK20MAM04-12N	10,000 psi		3/4"	30	59	
	DK20MAM06-2N	15,000 psi	3/8"	1/8"	16	45	
	DK20MAM06-4N			1/4"	16	49	
	DK20MAM06-6N			3/8"	19	50	
	DK20MAM06-8N			1/2"	25.4	58	
	DK20MAM06-12N	10,000 psi		3/4"	30	63	
	DK20MAM06-16N			1"	36	69	
	DK20MAM09-2N	15,000 psi	9/16"	1/8"	22	50.5	
	DK20MAM09-4N			1/4"	22	55	
	DK20MAM09-6N			3/8"	22	54	
	DK20MAM09-8N			1/2"	25.4	62	
	DK20MAM09-12N	10,000 psi		3/4"	30	67	
	DK20MAM09-16N			1"	36	73	
	DK20MAM12-4N	15,000 psi	3/4"	1/4"	30	63	
	DK20MAM12-6N			3/8"	30	64	
	DK20MAM12-8N			1/2"	30	68	
DK20MAM12-12N	3/4"			30	73		
DK20MAM12-16N	10,000 psi		1"	36	79		
DK20MAM16-4N	15,000 psi	1"	1/4"	36	80		
DK20MAM16-6N			3/8"	36	81		
DK20MAM16-8N			1/2"	36	84		
DK20MAM16-12N			3/4"	36	85		
DK20MAM16-16N	10,000 psi		1"	36	89		
HIGH PRESSURE	30,000 psi	15,000 psi	1/8"	DK30MAM02-2N	1/8"	14	36
				DK30MAM02-4N	1/4"	14	41
				DK30MAM02-6N	3/8"	19	46
				DK30MAM02-8N	1/2"	25.4	51
		15,000 psi	1"	DK30MAM16-4N	1/4"	36	79
				DK30MAM16-6N	3/8"	36	80
				DK30MAM16-8N	1/2"	36	83
				DK30MAM16-12N	3/4"	36	84
	10,000 psi			1"	36	88	
	60,000 psi	15,000 psi	1/4"	DK60MAM04-2N	1/8"	16	41.5
				DK60MAM04-4N	1/4"	16	44.5
				DK60MAM04-6N	3/8"	19	46.5
				DK60MAM04-8N	1/2"	25.4	51.5
		DK60MAM04-12N	10,000 psi		3/4"	30	56.5
		15,000 psi	3/8"	DK60MAM06-2N	1/8"	20	47.5
				DK60MAM06-4N	1/4"	20	50.5
				DK60MAM06-6N	3/8"	20	52.5
				DK60MAM06-8N	1/2"	25.4	57.5
		10,000 psi	1"	DK60MAM06-12N	3/4"	30	62.5
				DK60MAM06-16N	1"	36	68.5
DK60MAM09-2N				1/8"	30	53	
DK60MAM09-4N	1/4"			30	56		
15,000 psi	9/16"	DK60MAM09-6N	3/8"	30	57		
		DK60MAM09-8N	1/2"	30	61		
		DK60MAM09-12N	3/4"	30	66		
		DK60MAM09-16N	1"	36	72		